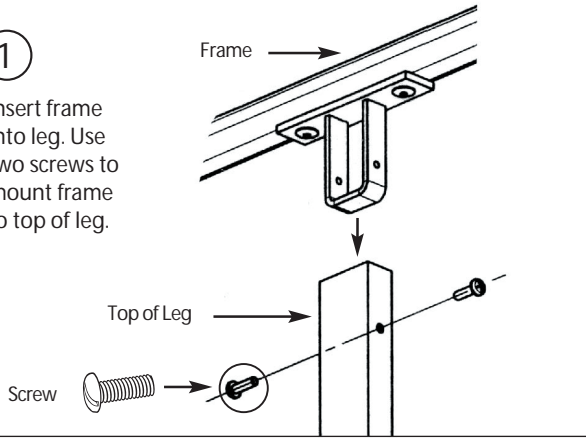


1

Insert frame into leg. Use two screws to mount frame to top of leg.



2

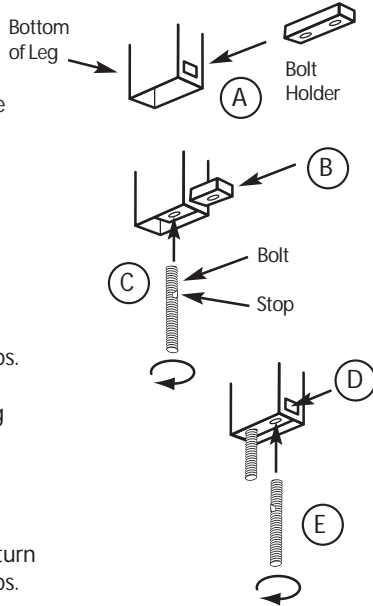
A) Locate square hole at bottom of leg and insert bolt holder.

B) Stop halfway through leg.

C) Thread one bolt into holder and turn clockwise until it stops.

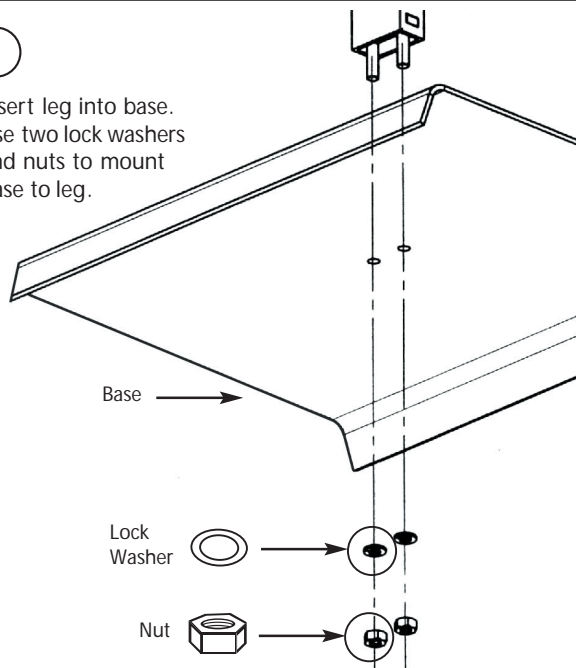
D) Continue inserting holder into leg until it stops.

E) Thread the second bolt into holder and turn clockwise until it stops.



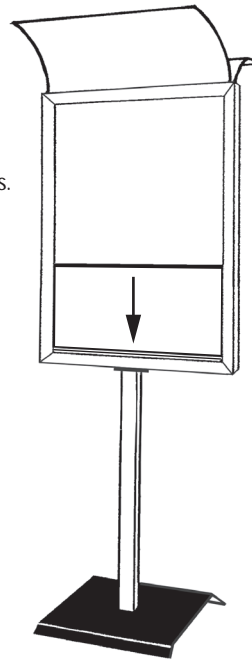
3

Insert leg into base. Use two lock washers and nuts to mount base to leg.



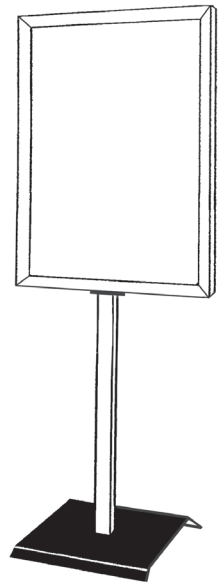
4

Insert posters.



5

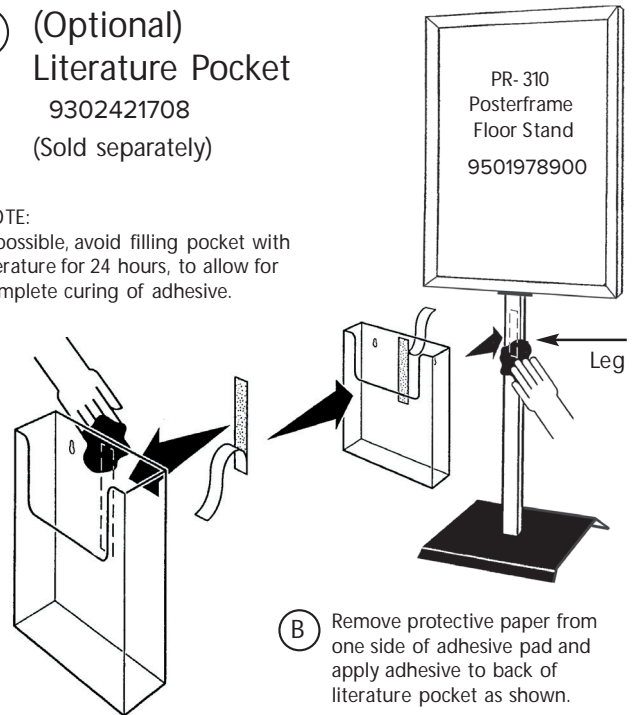
Assembly is complete.



6

(Optional)
Literature Pocket
9302421708
(Sold separately)

NOTE:
If possible, avoid filling pocket with literature for 24 hours, to allow for complete curing of adhesive.



A) For best results, use isopropyl alcohol to clean back side of literature pocket and floor stand leg.

B) Remove protective paper from one side of adhesive pad and apply adhesive to back of literature pocket as shown.

C) Remove remaining protective paper from adhesive pad and position at desired height on leg. Press firmly in place.

20190502